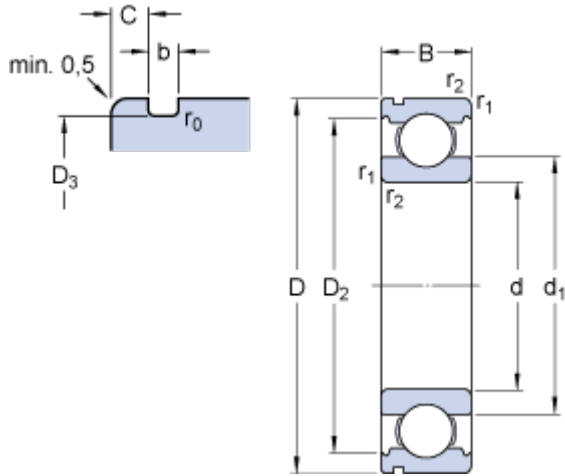


6208 N

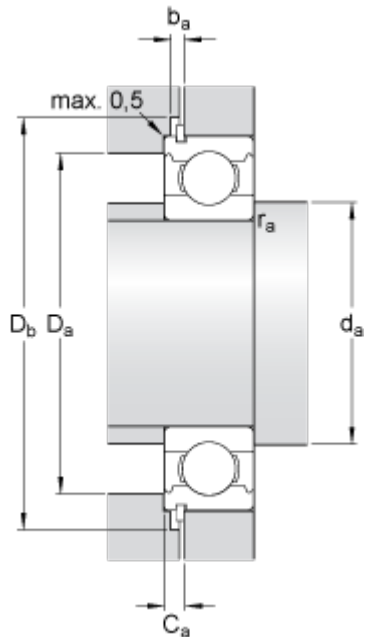
SKF Explorer

Dimensions



d		40	mm
D		80	mm
B		18	mm
d ₁	≈	52.6	mm
D ₂	≈	69.8	mm
D ₃		76.81	mm
b		1.9	mm
C		3.28	mm
r	max.	0.6	mm
r _{1,2}	min.	1.1	mm

Abutment dimensions



d _a	min.	47	mm
D _a	max.	73	mm
D _b	min.	88	mm
b _a	min.	2.2	mm
C _a	max.	4.98	mm
r _a	max.	1	mm

Calculation data

Basic dynamic load rating	C	32.5	kN
Basic static load rating	C	19	kN
Fatigue load limit	P _u	0.8	kN
Reference speed		18000	r/min
Limiting speed		11000	r/min
Calculation factor	k _r	0.025	
Calculation factor	f	14	

Mass

Mass bearing		0.36	kg
--------------	--	------	----

