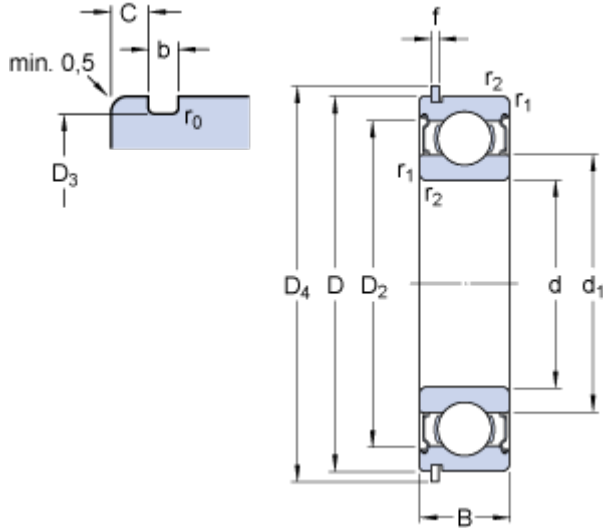


6207-2ZNR

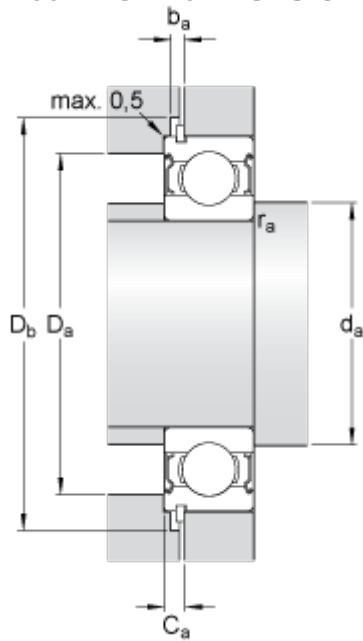
SKF Explorer

Dimensions



B	17	mm
D ₄	78.6	mm

Abutment dimensions



d _a	min.	42	mm
d _a	max.	46.8	mm
D _a	max.	65	mm
D _b	min.	80	mm
b _a	min.	2.2	mm
C _a	max.	4.98	mm
r _a	max.	1	mm

Calculation data

Basic dynamic load rating	C	27	kN
Basic static load rating	C	15.3	kN
Fatigue load limit	P _u	0.655	kN
Reference speed		20000	r/min
Limiting speed		10000	r/min
Calculation factor	k _r	0.025	
Calculation factor	f	14	

Mass

Mass bearing		0.31	kg
--------------	--	------	----

