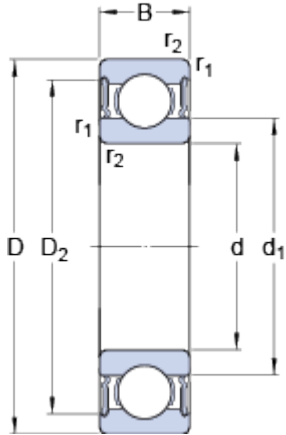


# 6207-2RS1

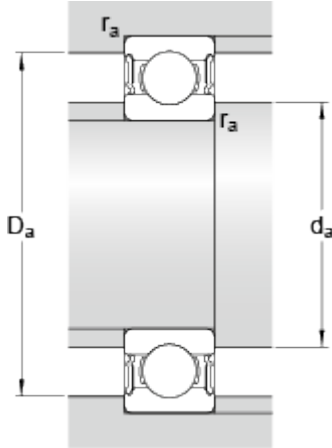
SKF Explorer

## Dimensions



B	17	mm
---	----	----

## Abutment dimensions



d <sub>a</sub>	min.	42	mm
d <sub>a</sub>	max.	46.8	mm
D <sub>a</sub>	max.	65	mm
r <sub>a</sub>	max.	1	mm

## Calculation data

Basic dynamic load rating	C	27	kN
Basic static load rating	C	15.3	kN
Fatigue load limit	P <sub>u</sub>	0.655	kN
Limiting speed		6300	r/min
Calculation factor	k <sub>r</sub>	0.025	
Calculation factor	f	13.8	

## Mass

Mass bearing		0.3	kg
--------------	--	-----	----