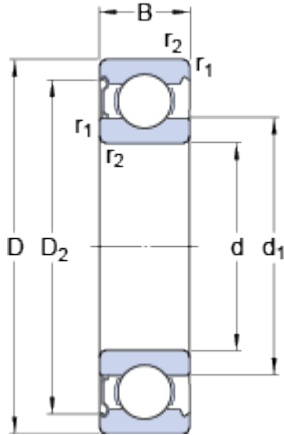


# 6206-Z

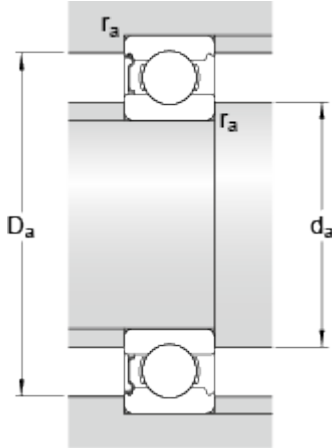
SKF Explorer

## Dimensions



d		30	mm
D		62	mm
B		16	mm
d <sub>1</sub>	≈	40.36	mm
D <sub>2</sub>	≈	54.06	mm
r <sub>1,2</sub>	min.	1	mm

## Abutment dimensions



d <sub>a</sub>	min.	35.6	mm
d <sub>a</sub>	max.	40.3	mm
D <sub>a</sub>	max.	56.4	mm
r <sub>a</sub>	max.	1	mm

## Calculation data

Basic dynamic load rating	C	20.3	kN
Basic static load rating	C	11.2	kN
Fatigue load limit	P <sub>u</sub>	0.475	kN
Reference speed		24000	r/min
Limiting speed		15000	r/min
Calculation factor	k <sub>r</sub>	0.025	
Calculation factor	f	14	

## Mass

Mass bearing		0.2	kg
--------------	--	-----	----