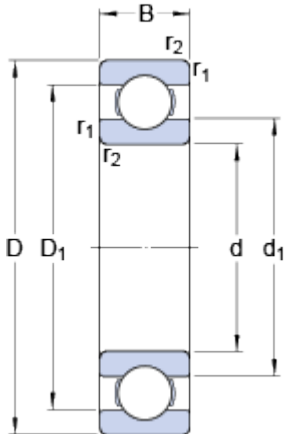


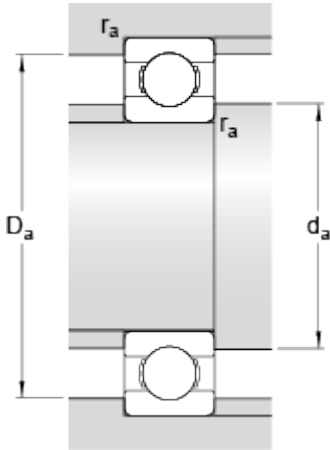
# 6206 ETN9

## Dimensions



B	16	mm
---	----	----

## Abutment dimensions



d <sub>a</sub>	min.	35.6	mm
D <sub>a</sub>	max.	56.4	mm
r <sub>a</sub>	max.	1	mm

## Calculation data

Basic dynamic load rating	C	23.4	kN
Basic static load rating	C	12.9	kN
Fatigue load limit	P <sub>u</sub>	0.54	kN
Reference speed		24000	r/min
Limiting speed		15000	r/min
Calculation factor	k <sub>r</sub>	0.025	
Calculation factor	f	13	

## Mass

Mass bearing		0.18	kg
--------------	--	------	----