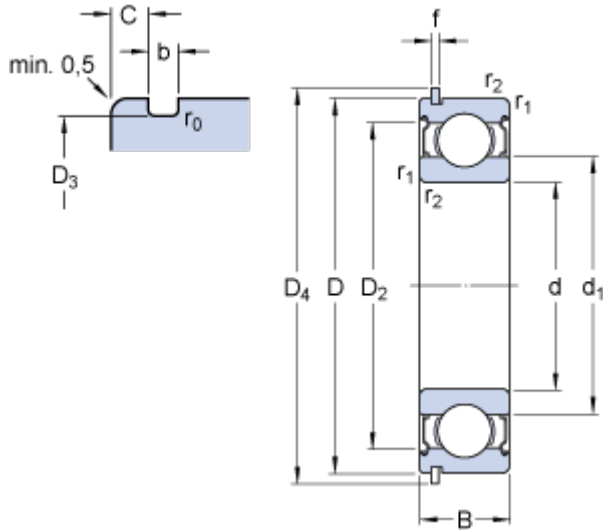


# 6206-2ZNR

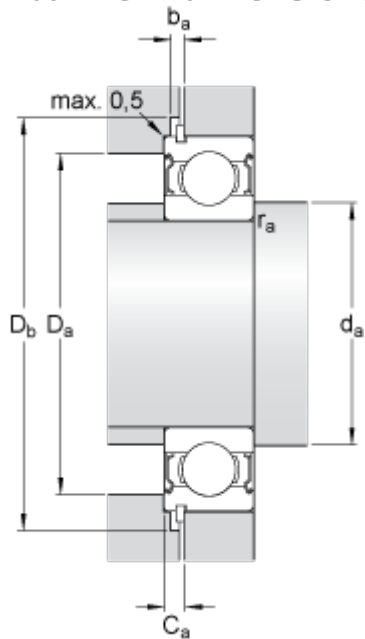
SKF Explorer

## Dimensions



d	30	mm
D	62	mm
B	16	mm
d <sub>1</sub>	≈ 40.36	mm
D <sub>2</sub>	≈ 54.06	mm
D <sub>3</sub>	59.61	mm
b	1.9	mm
C	3.28	mm
f	1.7	mm
r	max. 0.6	mm

## Abutment dimensions



d <sub>a</sub>	min.	35.6	mm
d <sub>a</sub>	max.	40.3	mm
D <sub>a</sub>	max.	56.4	mm
D <sub>b</sub>	min.	69	mm
b <sub>a</sub>	min.	2.2	mm
C <sub>a</sub>	max.	4.98	mm
r <sub>a</sub>	max.	1	mm

## Calculation data

Basic dynamic load rating	C	20.3	kN
Basic static load rating	C	11.2	kN
Fatigue load limit	P <sub>u</sub>	0.475	kN
Reference speed		24000	r/min
Limiting speed		12000	r/min
Calculation factor	k <sub>r</sub>	0.025	
Calculation factor	f	14	

## Mass

Mass bearing	0.21	kg
--------------	------	----

## Included products

Snap ring	SP 62	
-----------	-------	--

