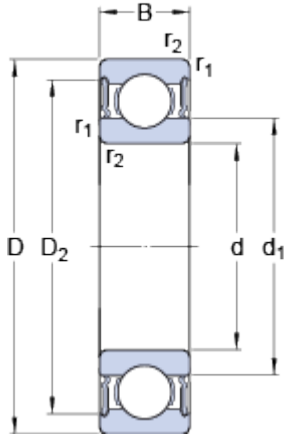


6206-2RS1

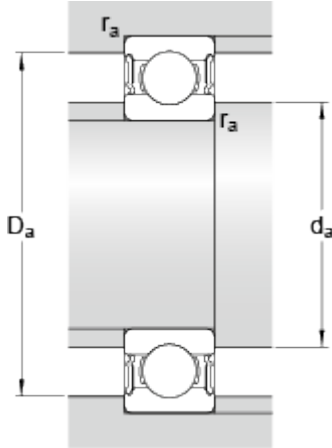
SKF Explorer

Dimensions



d		30	mm
D		62	mm
B		16	mm
d ₁	≈	40.36	mm
D ₂	≈	54.06	mm
r _{1,2}	min.	1	mm

Abutment dimensions



d _a	min.	35.6	mm
d _a	max.	40.3	mm
D _a	max.	56.4	mm
r _a	max.	1	mm

Calculation data

Basic dynamic load rating	C	20.3	kN
Basic static load rating	C	11.2	kN
Fatigue load limit	P _u	0.475	kN
Limiting speed		7500	r/min
Calculation factor	k _r	0.025	
Calculation factor	f	14	

Mass

Mass bearing		0.21	kg
--------------	--	------	----