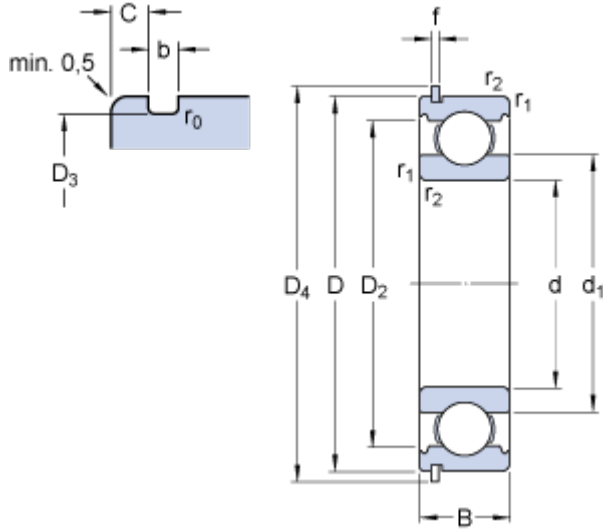


6204 NR

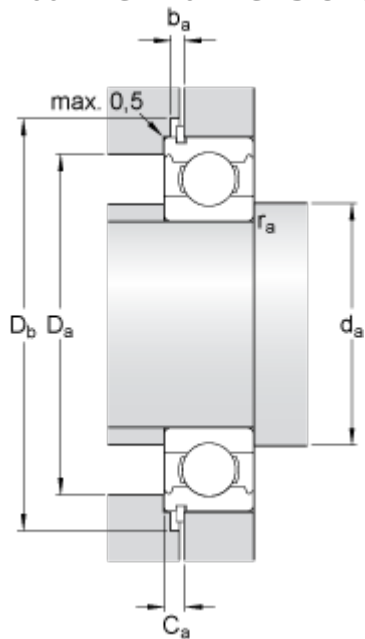
SKF Explorer

Dimensions



d	20	mm
D	47	mm
B	14	mm
d ₁	≈ 28.8	mm
D ₂	≈ 40.59	mm
D ₃	44.6	mm
D ₄	52.7	mm
b	1.35	mm
C	2.46	mm
f	1.12	mm
r	max. 0.4	mm
r _{1,2}	min. 1	mm

Abutment dimensions



d _a	min. 25.6	mm
D _a	max. 41.4	mm
D _b	min. 54	mm
b _a	min. 1.5	mm
C _a	max. 3.58	mm
r _a	max. 1	mm

Calculation data

Basic dynamic load rating	C	13.5	kN
Basic static load rating	C	6.55	kN
Fatigue load limit	P _u	0.28	kN
Reference speed		32000	r/min
Limiting speed		20000	r/min
Calculation factor	k _r	0.025	
Calculation factor	f	13	

Mass

Mass bearing		0.11	kg
--------------	--	------	----

Included products

Snap ring

SP 47