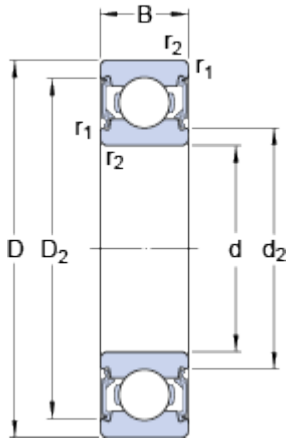


# 6204-2RSL

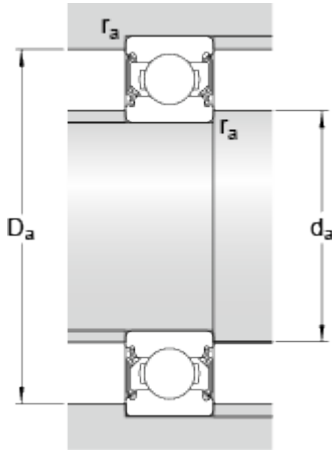
SKF Explorer

## Dimensions



d	20	mm
D	47	mm
B	14	mm
d <sub>2</sub>	≈ 25.46	mm
D <sub>2</sub>	≈ 40.59	mm

## Abutment dimensions



d <sub>a</sub>	min.	25.6	mm
d <sub>a</sub>	max.	26	mm
D <sub>a</sub>	max.	41.4	mm
r <sub>a</sub>	max.	1	mm

## Calculation data

Basic dynamic load rating	C	13.5	kN
Basic static load rating	C	6.55	kN
Fatigue load limit	P <sub>u</sub>	0.28	kN
Reference speed		32000	r/min
Limiting speed		17000	r/min
Calculation factor	k <sub>r</sub>	0.025	
Calculation factor	f	13	

## Mass

Mass bearing		0.11	kg
--------------	--	------	----