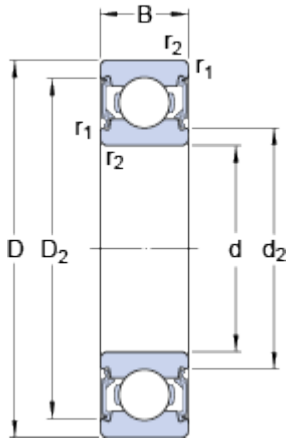


# 6203-2RSL

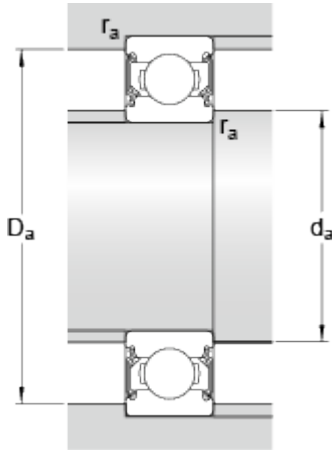
SKF Explorer

## Dimensions



d		17	mm
D		40	mm
B		12	mm
d <sub>2</sub>	≈	21.75	mm
D <sub>2</sub>	≈	34.98	mm
r <sub>1,2</sub>	min.	0.6	mm

## Abutment dimensions



d <sub>a</sub>	min.	21.2	mm
d <sub>a</sub>	max.	22	mm
D <sub>a</sub>	max.	35.8	mm
r <sub>a</sub>	max.	0.6	mm

## Calculation data

Basic dynamic load rating	C	9.95	kN
Basic static load rating	C	4.75	kN
Fatigue load limit	P <sub>u</sub>	0.2	kN
Reference speed		38000	r/min
Limiting speed		19000	r/min
Calculation factor	k <sub>r</sub>	0.025	
Calculation factor	f	13	

## Mass

Mass bearing		0.067	kg
--------------	--	-------	----