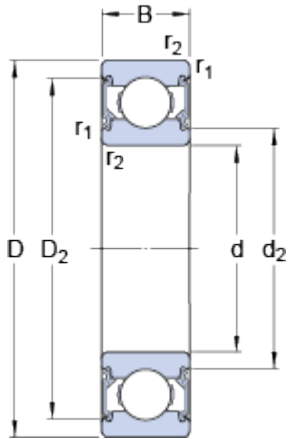


6203-2RSH

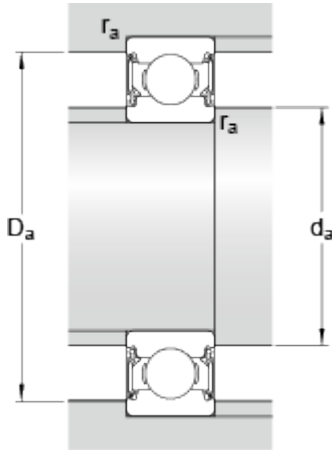
SKF Explorer

Dimensions



d		17	mm
D		40	mm
B		12	mm
d ₂	≈	21.75	mm
D ₂	≈	34.98	mm
r _{1,2}	min.	0.6	mm

Abutment dimensions



d _a	min.	21.2	mm
d _a	max.	22	mm
D _a	max.	35.8	mm
r _a	max.	0.6	mm

Calculation data

Basic dynamic load rating	C	9.95	kN
Basic static load rating	C	4.75	kN
Fatigue load limit	P _u	0.2	kN
Limiting speed		12000	r/min
Calculation factor	k _r	0.025	
Calculation factor	f	13	

Mass

Mass bearing		0.067	kg
--------------	--	-------	----