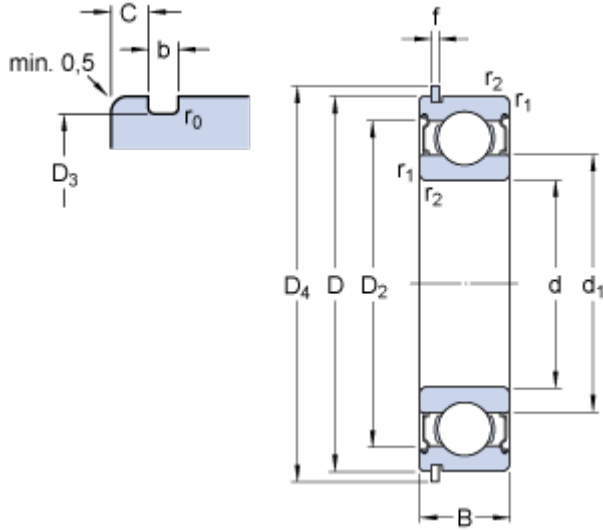


6202-2ZNR

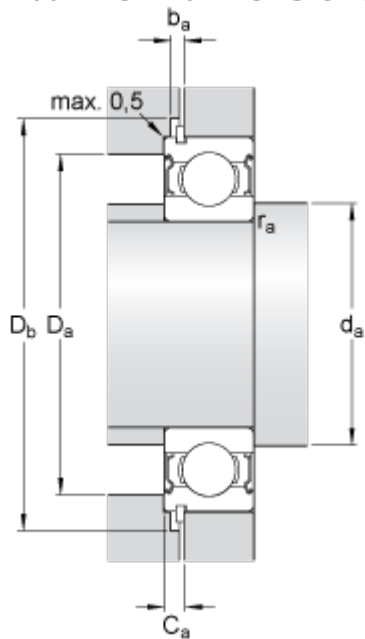
SKF Explorer

Dimensions



d		15	mm
D		35	mm
B		11	mm
d ₁	≈	21.7	mm
D ₂	≈	30.5	mm
D ₃		33.17	mm
D ₄		39.7	mm
b		1.35	mm
C		2.06	mm
f		1.12	mm
r	max.	0.4	mm
r _{1,2}	min.	0.6	mm

Abutment dimensions



d _a	min.	19.2	mm
d _a	max.	21.6	mm
D _a	max.	30.8	mm
D _b	min.	41	mm
b _a	min.	1.5	mm
C _a	max.	3.18	mm
r _a	max.	0.6	mm

Calculation data

Basic dynamic load rating	C	8.06	kN
Basic static load rating	C	3.75	kN
Fatigue load limit	P _u	0.16	kN
Reference speed		43000	r/min
Limiting speed		22000	r/min
Calculation factor	k _r	0.025	
Calculation factor	f	13	

Mass

Mass bearing		0.045	kg
--------------	--	-------	----

Included products

Snap ring

SP 35