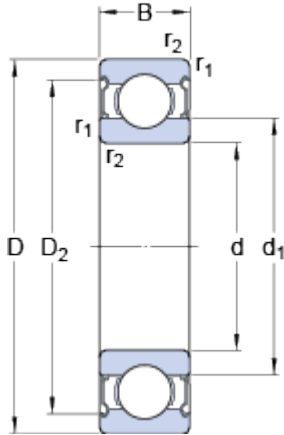


6201-2Z

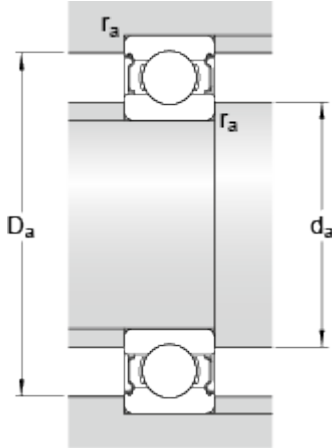
SKF Explorer

Dimensions



| | | | |
|------------------|------|-------|----|
| d | | 12 | mm |
| D | | 32 | mm |
| B | | 10 | mm |
| d ₁ | ≈ | 18.45 | mm |
| D ₂ | ≈ | 27.34 | mm |
| r _{1,2} | min. | 0.6 | mm |

Abutment dimensions



| | | | |
|----------------|------|------|----|
| d _a | min. | 16.2 | mm |
| d _a | max. | 18.4 | mm |
| D _a | max. | 27.8 | mm |
| r _a | max. | 0.6 | mm |

Calculation data

| | | | |
|---------------------------|----------------|-------|-------|
| Basic dynamic load rating | C | 7.28 | kN |
| Basic static load rating | C | 3.1 | kN |
| Fatigue load limit | P _u | 0.132 | kN |
| Reference speed | | 50000 | r/min |
| Limiting speed | | 26000 | r/min |
| Calculation factor | k _r | 0.025 | |
| Calculation factor | f | 12 | |

Mass

| | | | |
|--------------|--|-------|----|
| Mass bearing | | 0.039 | kg |
|--------------|--|-------|----|