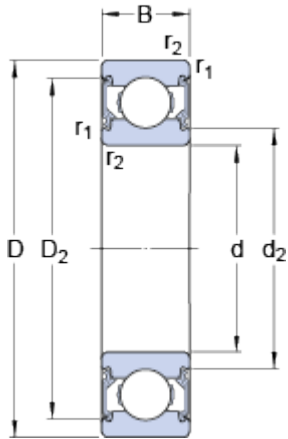


# 6201-2RSH

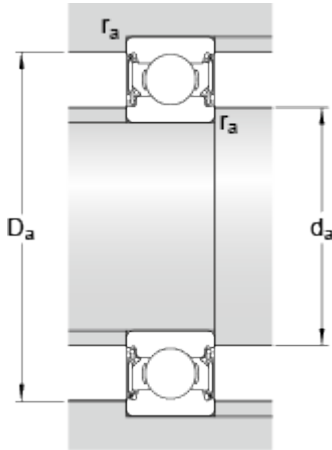
SKF Explorer

## Dimensions



d		12	mm
D		32	mm
B		10	mm
d <sub>2</sub>	≈	16.2	mm
D <sub>2</sub>	≈	27.34	mm
r <sub>1,2</sub>	min.	0.6	mm

## Abutment dimensions



d <sub>a</sub>	min.	16.2	mm
d <sub>a</sub>	max.	16.5	mm
D <sub>a</sub>	max.	27.8	mm
r <sub>a</sub>	max.	0.6	mm

## Calculation data

Basic dynamic load rating	C	7.28	kN
Basic static load rating	C	3.1	kN
Fatigue load limit	P <sub>u</sub>	0.132	kN
Limiting speed		15000	r/min
Calculation factor	k <sub>r</sub>	0.025	
Calculation factor	f	12	

## Mass

Mass bearing		0.038	kg
--------------	--	-------	----