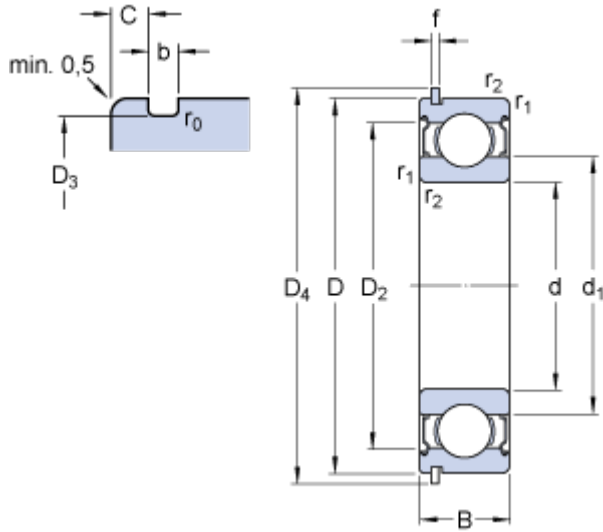


6200-2ZNR

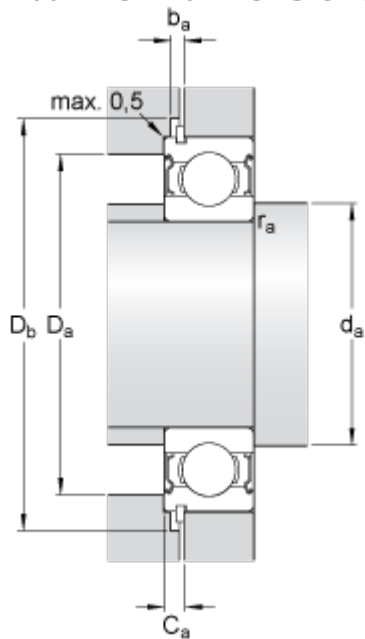
SKF Explorer

Dimensions



d	10	mm
D	30	mm
B	9	mm
d ₁	≈ 17	mm
D ₂	≈ 24.72	mm
D ₃	28.17	mm
D ₄	34.7	mm
b	1.35	mm
C	2.06	mm
f	1.12	mm
r	max. 0.4	mm
r _{1,2}	min. 0.6	mm

Abutment dimensions



d _a	min.	14.2	mm
d _a	max.	16.9	mm
D _a	max.	25.8	mm
D _b	min.	36	mm
b _a	min.	1.5	mm
C _a	max.	3.18	mm
r _a	max.	0.6	mm

Calculation data

Basic dynamic load rating	C	5.4	kN
Basic static load rating	C	2.36	kN
Fatigue load limit	P _u	0.1	kN
Reference speed		56000	r/min
Limiting speed		28000	r/min
Calculation factor	k _r	0.025	
Calculation factor	f	13.1	

Mass

Mass bearing		0.035	kg
--------------	--	-------	----

Included products

Snap ring

SP 30