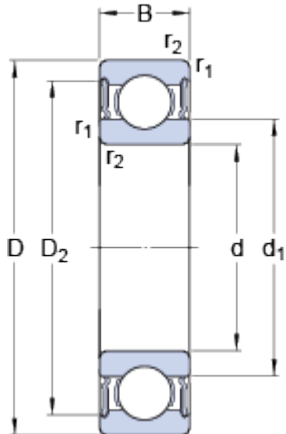


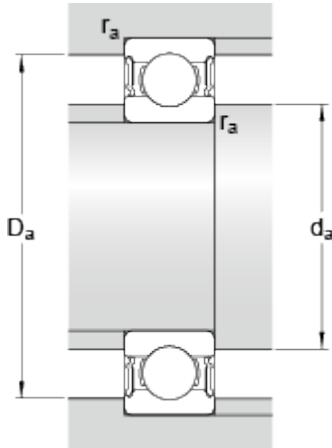
# 61916-2RS1

## Dimensions



d		80	mm
D		110	mm
B		16	mm
d <sub>1</sub>	≈	89.8	mm
D <sub>2</sub>	≈	102.2	mm
r <sub>1,2</sub>	min.	1	mm

## Abutment dimensions



d <sub>a</sub>	min.	84.6	mm
d <sub>a</sub>	max.	89.7	mm
D <sub>a</sub>	max.	105	mm
r <sub>a</sub>	max.	1	mm

## Calculation data

Basic dynamic load rating	C	25.1	kN
Basic static load rating	C	20.4	kN
Fatigue load limit	P <sub>u</sub>	1.02	kN
Limiting speed		3400	r/min
Calculation factor	k <sub>r</sub>	0.02	
Calculation factor	f	14	

## Mass

Mass bearing		0.4	kg
--------------	--	-----	----