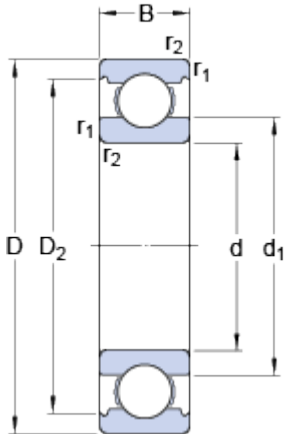


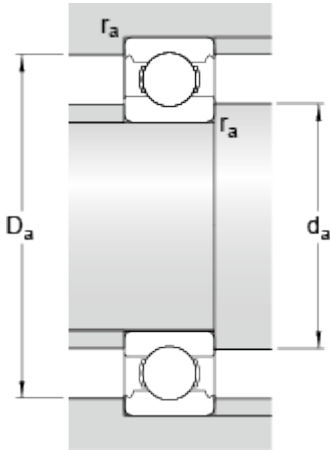
61912

Dimensions



d	60	mm
D	85	mm
B	13	mm
d ₁	≈ 68.3	mm
D ₂	≈ 78.7	mm
r _{1,2}	min. 1	mm

Abutment dimensions



d _a	min.	64.6	mm
D _a	max.	80.4	mm
r _a	max.	1	mm

Calculation data

Basic dynamic load rating	C	16.5	kN
Basic static load rating	C	12	kN
Fatigue load limit	P _u	0.6	kN
Reference speed		16000	r/min
Limiting speed		10000	r/min
Calculation factor	k _r	0.02	
Calculation factor	f	13.9	

Mass

Mass bearing		0.2	kg
--------------	--	-----	----