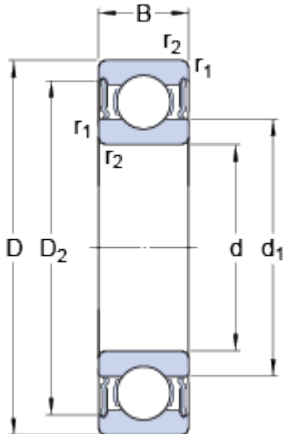


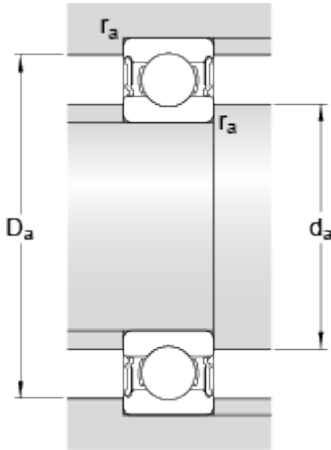
61912-2RS1

Dimensions



d		60	mm
D		85	mm
B		13	mm
d ₁	≈	68.3	mm
D ₂	≈	78.7	mm
r _{1,2}	min.	1	mm

Abutment dimensions



d _a	min.	64.6	mm
d _a	max.	68.2	mm
D _a	max.	80.4	mm
r _a	max.	1	mm

Calculation data

Basic dynamic load rating	C	16.5	kN
Basic static load rating	C	12	kN
Fatigue load limit	P _u	0.6	kN
Limiting speed		4500	r/min
Calculation factor	k _r	0.02	
Calculation factor	f	13.9	

Mass

Mass bearing		0.2	kg
--------------	--	-----	----