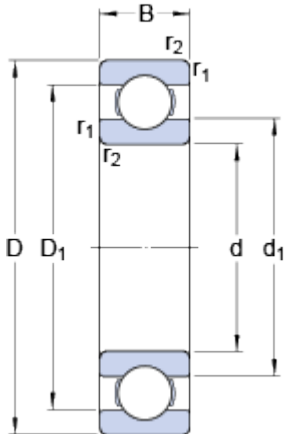


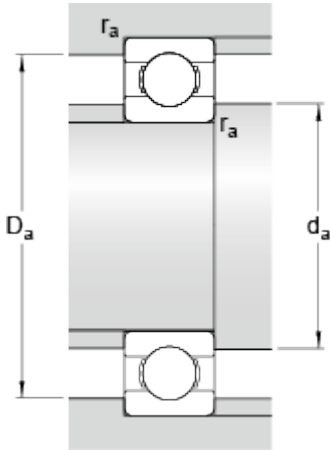
61911

Dimensions



d		55	mm
D		80	mm
B		13	mm
d ₁	≈	63	mm
D ₁	≈	72.3	mm
r _{1,2}	min.	1	mm

Abutment dimensions



d _a	min.	59.6	mm
D _a	max.	75.4	mm
r _a	max.	1	mm

Calculation data

Basic dynamic load rating	C	16.5	kN
Basic static load rating	C	14	kN
Fatigue load limit	P _u	0.6	kN
Reference speed		17000	r/min
Limiting speed		11000	r/min
Calculation factor	k _r	0.02	
Calculation factor	f	16.3	

Mass

Mass bearing		0.19	kg
--------------	--	------	----