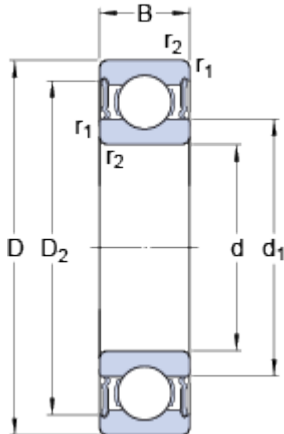


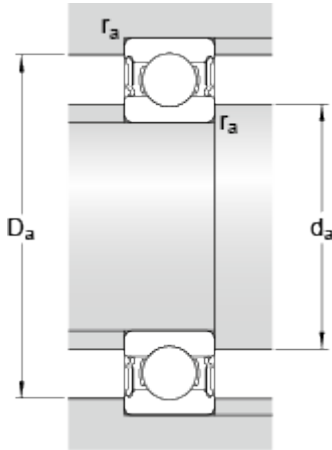
61911-2RS1

Dimensions



| | | | |
|------------------|------|------|----|
| d | | 55 | mm |
| D | | 80 | mm |
| B | | 13 | mm |
| d ₁ | ≈ | 63 | mm |
| D ₂ | ≈ | 74.2 | mm |
| r _{1,2} | min. | 1 | mm |

Abutment dimensions



| | | | |
|----------------|------|------|----|
| d _a | min. | 59.6 | mm |
| d _a | max. | 63.1 | mm |
| D _a | max. | 75.4 | mm |
| r _a | max. | 1 | mm |

Calculation data

| | | | |
|---------------------------|----------------|------|-------|
| Basic dynamic load rating | C | 16.5 | kN |
| Basic static load rating | C | 14 | kN |
| Fatigue load limit | P _u | 0.6 | kN |
| Limiting speed | | 5000 | r/min |
| Calculation factor | k _r | 0.02 | |
| Calculation factor | f | 16.3 | |

Mass

| | | | |
|--------------|--|------|----|
| Mass bearing | | 0.19 | kg |
|--------------|--|------|----|