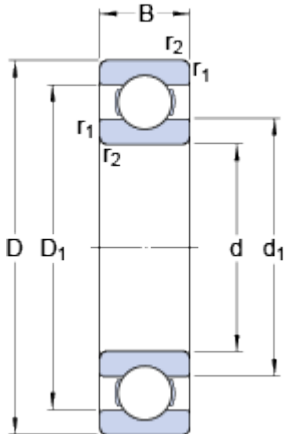


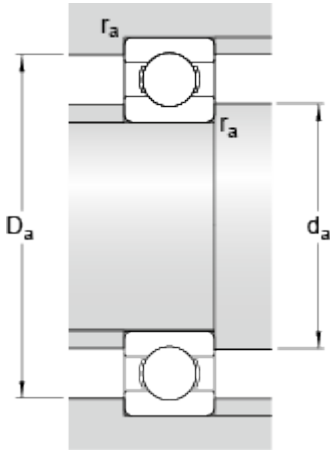
61910

Dimensions



d		50	mm
D		72	mm
B		12	mm
d ₁	≈	56.8	mm
D ₁	≈	65.6	mm
r _{1,2}	min.	0.6	mm

Abutment dimensions



d _a	min.	53.2	mm
D _a	max.	68.8	mm
r _a	max.	0.6	mm

Calculation data

Basic dynamic load rating	C	14.6	kN
Basic static load rating	C	11.8	kN
Fatigue load limit	P _u	0.5	kN
Reference speed		19000	r/min
Limiting speed		12000	r/min
Calculation factor	k _r	0.02	
Calculation factor	f	16.1	

Mass

Mass bearing		0.14	kg
--------------	--	------	----