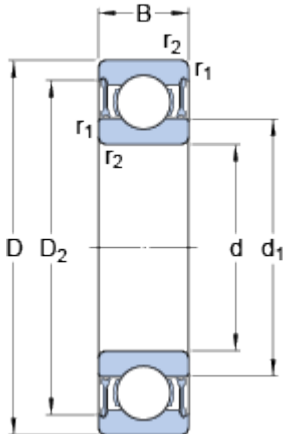


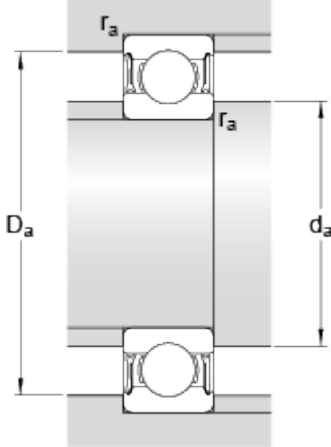
# 61910-2RZ

## Dimensions



d		50	mm
D		72	mm
B		12	mm
d <sub>1</sub>	≈	56.8	mm
D <sub>2</sub>	≈	67.3	mm
r <sub>1,2</sub>	min.	0.6	mm

## Abutment dimensions



d <sub>a</sub>	min.	53.2	mm
d <sub>a</sub>	max.	56.8	mm
D <sub>a</sub>	max.	68.8	mm
r <sub>a</sub>	max.	0.6	mm

## Calculation data

Basic dynamic load rating	C	14.6	kN
Basic static load rating	C	11.8	kN
Fatigue load limit	P <sub>u</sub>	0.5	kN
Reference speed		19000	r/min
Limiting speed		9500	r/min
Calculation factor	k <sub>r</sub>	0.02	
Calculation factor	f	16.1	

## Mass

Mass bearing		0.14	kg
--------------	--	------	----