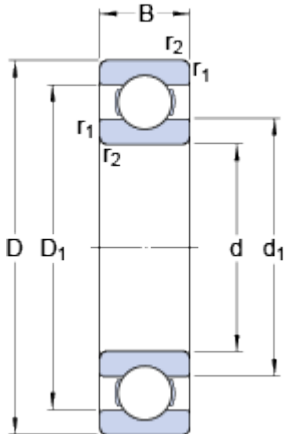


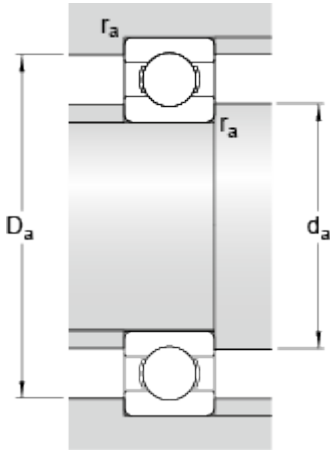
# 61909

## Dimensions



d		45	mm
D		68	mm
B		12	mm
d <sub>1</sub>	≈	52.4	mm
D <sub>1</sub>	≈	61.2	mm
r <sub>1,2</sub>	min.	0.6	mm

## Abutment dimensions



d <sub>a</sub>	min.	48.2	mm
D <sub>a</sub>	max.	64.8	mm
r <sub>a</sub>	max.	0.6	mm

## Calculation data

Basic dynamic load rating	C	14	kN
Basic static load rating	C	10.8	kN
Fatigue load limit	P <sub>u</sub>	0.465	kN
Reference speed		20000	r/min
Limiting speed		13000	r/min
Calculation factor	k <sub>r</sub>	0.02	
Calculation factor	f	15.9	

## Mass

Mass bearing		0.14	kg
--------------	--	------	----