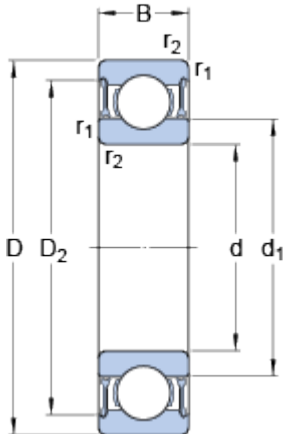


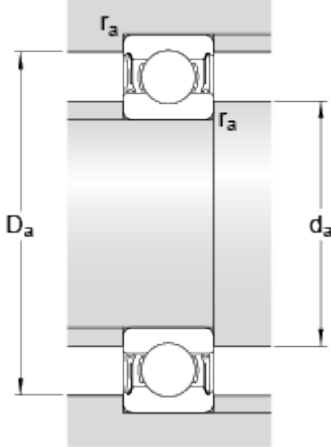
61909-2RZ

Dimensions



d		45	mm
D		68	mm
B		12	mm
d ₁	≈	52.4	mm
D ₂	≈	62.8	mm
r _{1,2}	min.	0.6	mm

Abutment dimensions



d _a	min.	48.2	mm
d _a	max.	52.3	mm
D _a	max.	64.8	mm
r _a	max.	0.6	mm

Calculation data

Basic dynamic load rating	C	14	kN
Basic static load rating	C	10.8	kN
Fatigue load limit	P _u	0.465	kN
Reference speed		20000	r/min
Limiting speed		10000	r/min
Calculation factor	k _r	0.02	
Calculation factor	f	15.9	

Mass

Mass bearing		0.14	kg
--------------	--	------	----