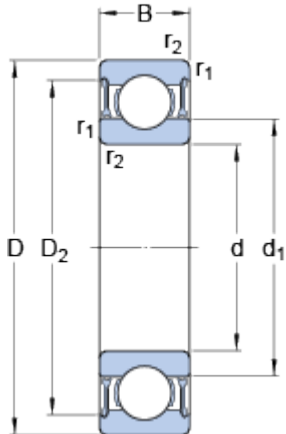


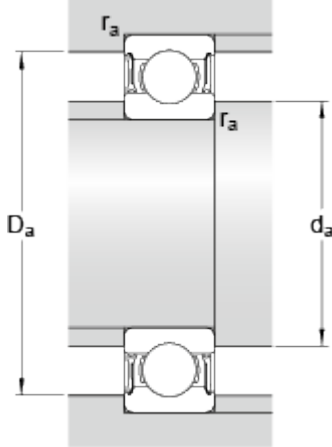
61908-2RZ

Dimensions



d		40	mm
D		62	mm
B		12	mm
d ₁	≈	46.9	mm
D ₂	≈	57.3	mm
r _{1,2}	min.	0.6	mm

Abutment dimensions



d _a	min.	43.2	mm
d _a	max.	46.8	mm
D _a	max.	58.8	mm
r _a	max.	0.6	mm

Calculation data

Basic dynamic load rating	C	13.8	kN
Basic static load rating	C	10	kN
Fatigue load limit	P _u	0.425	kN
Reference speed		24000	r/min
Limiting speed		12000	r/min
Calculation factor	k _r	0.02	
Calculation factor	f	15.6	

Mass

Mass bearing		0.12	kg
--------------	--	------	----