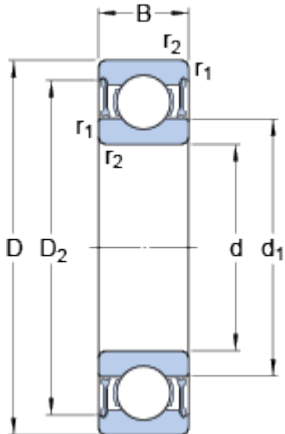


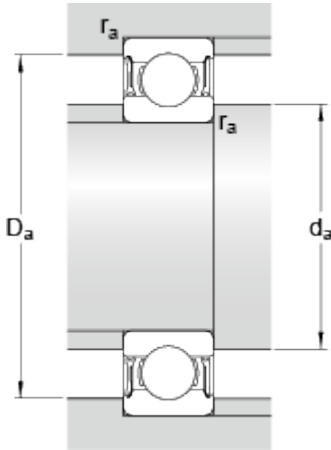
61907-2RZ

Dimensions



d	35	mm
B	10	mm
d ₁	≈ 42.2	mm

Abutment dimensions



d _a	min.	38.2	mm
d _a	max.	41.5	mm
D _a	max.	51.8	mm
r _a	max.	0.6	mm

Calculation data

Basic dynamic load rating	C	10.8	kN
Basic static load rating	C	7.8	kN
Fatigue load limit	P _u	0.325	kN
Reference speed		26000	r/min
Limiting speed		13000	r/min
Calculation factor	k _r	0.02	
Calculation factor	f	15.7	

Mass

Mass bearing		0.08	kg
--------------	--	------	----