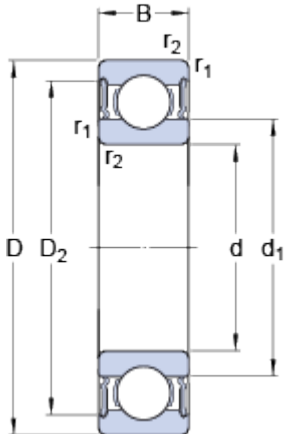


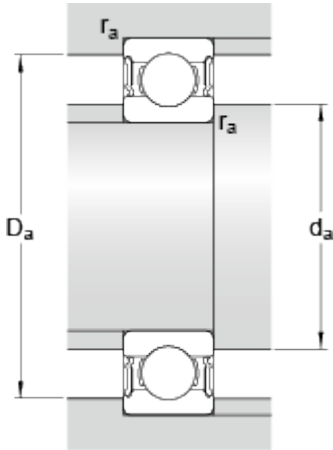
# 61907-2RS1

## Dimensions



d	35	mm
B	10	mm
d <sub>1</sub>	≈ 42.2	mm

## Abutment dimensions



d <sub>a</sub>	min.	38.2	mm
d <sub>a</sub>	max.	41.5	mm
D <sub>a</sub>	max.	51.8	mm
r <sub>a</sub>	max.	0.6	mm

## Calculation data

Basic dynamic load rating	C	10.8	kN
Basic static load rating	C	7.8	kN
Fatigue load limit	P <sub>u</sub>	0.325	kN
Limiting speed		7500	r/min
Calculation factor	k <sub>r</sub>	0.02	
Calculation factor	f	15.7	

## Mass

Mass bearing		0.08	kg
--------------	--	------	----