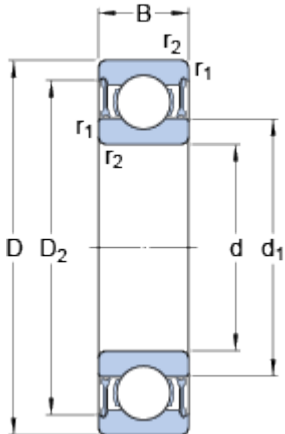


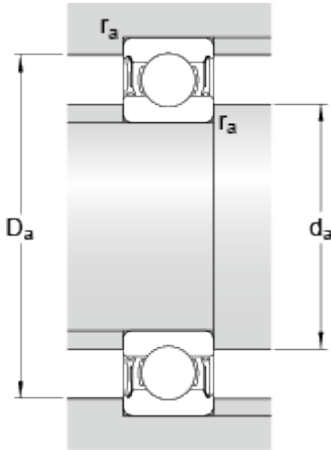
# 61905-2RZ

## Dimensions



d		25	mm
D		42	mm
B		9	mm
d <sub>1</sub>	≈	30.25	mm
D <sub>2</sub>	≈	37.7	mm
r <sub>1,2</sub>	min.	0.6	mm

## Abutment dimensions



d <sub>a</sub>	min.	27	mm
d <sub>a</sub>	max.	29	mm
D <sub>a</sub>	max.	40	mm
r <sub>a</sub>	max.	0.3	mm

## Calculation data

Basic dynamic load rating	C	7.02	kN
Basic static load rating	C	4.3	kN
Fatigue load limit	P <sub>u</sub>	0.193	kN
Reference speed		36000	r/min
Limiting speed		18000	r/min
Calculation factor	k <sub>r</sub>	0.02	
Calculation factor	f	14.7	

## Mass

Mass bearing		0.045	kg
--------------	--	-------	----