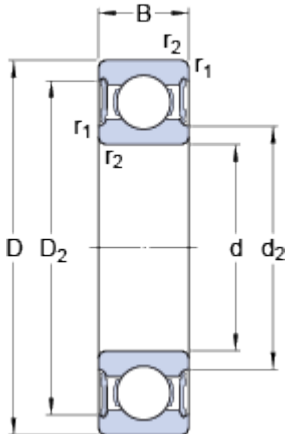


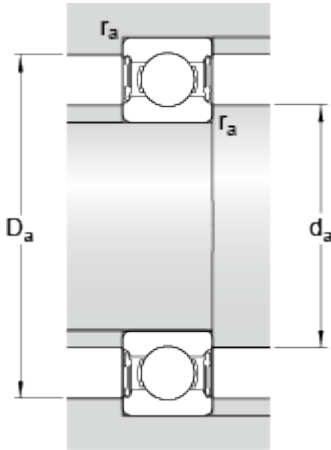
61904-2RS1

Dimensions



d	20	mm
D	37	mm
B	9	mm
D ₂	≈ 32.7	mm
r _{1,2}	min. 0.3	mm

Abutment dimensions



d _a	min.	22	mm
d _a	max.	23	mm
D _a	max.	35	mm
r _a	max.	0.3	mm

Calculation data

Basic dynamic load rating	C	6.37	kN
Basic static load rating	C	3.65	kN
Fatigue load limit	P _u	0.156	kN
Limiting speed		12000	r/min
Calculation factor	k _r	0.02	
Calculation factor	f	14.7	

Mass

Mass bearing	0.038	kg
--------------	-------	----