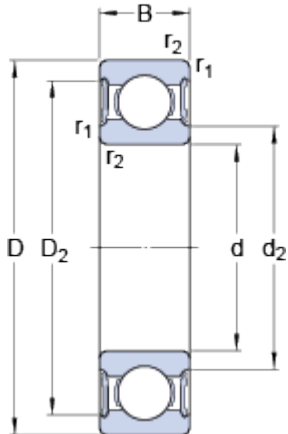


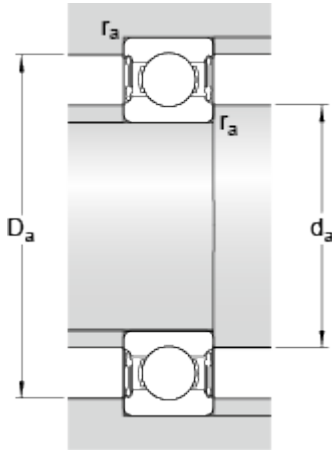
61903-2RS1

Dimensions



d		17	mm
D		30	mm
B		7	mm
d ₂	≈	19.4	mm
D ₂	≈	27.7	mm
r _{1,2}	min.	0.3	mm

Abutment dimensions



d _a	min.	19	mm
d _a	max.	19.3	mm
D _a	max.	28	mm
r _a	max.	0.3	mm

Calculation data

Basic dynamic load rating	C	10	kN
Basic static load rating	C	10	kN
Fatigue load limit	P _u	10	kN
Limiting speed		14000	r/min
Calculation factor	k _r	0.02	
Calculation factor	f	14.7	

Mass

Mass bearing		0.017	kg
--------------	--	-------	----