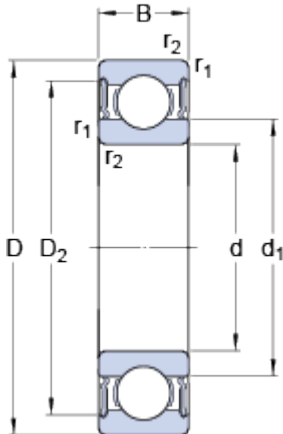


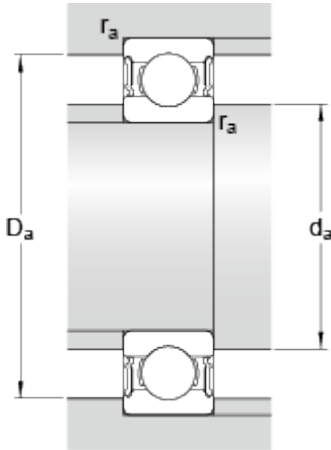
# 61902-2RS1

## Dimensions



d		15	mm
D		28	mm
B		7	mm
d <sub>1</sub>	≈	18.8	mm
D <sub>2</sub>	≈	25.3	mm
r <sub>1,2</sub>	min.	0.3	mm

## Abutment dimensions



d <sub>a</sub>	min.	17	mm
d <sub>a</sub>	max.	18.3	mm
D <sub>a</sub>	max.	26	mm
r <sub>a</sub>	max.	0.3	mm

## Calculation data

Basic dynamic load rating	C	4.36	kN
Basic static load rating	C	2.24	kN
Fatigue load limit	P <sub>u</sub>	0.095	kN
Limiting speed		16000	r/min
Calculation factor	k <sub>r</sub>	0.02	
Calculation factor	f	14.3	

## Mass

Mass bearing		0.016	kg
--------------	--	-------	----