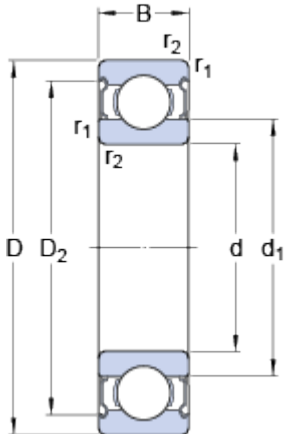


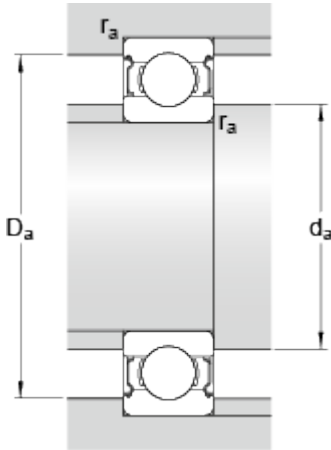
# 61901-2Z

## Dimensions



d		12	mm
D		24	mm
B		6	mm
d <sub>1</sub>	≈	16	mm
D <sub>2</sub>	≈	21.4	mm
r <sub>1,2</sub>	min.	0.3	mm

## Abutment dimensions



d <sub>a</sub>	min.	14	mm
d <sub>a</sub>	max.	15.8	mm
D <sub>a</sub>	max.	22	mm
r <sub>a</sub>	max.	0.3	mm

## Calculation data

Basic dynamic load rating	C	2.91	kN
Basic static load rating	C	1.46	kN
Fatigue load limit	P <sub>u</sub>	0.062	kN
Reference speed		67000	r/min
Limiting speed		32000	r/min
Calculation factor	k <sub>r</sub>	0.02	
Calculation factor	f	14.5	

## Mass

Mass bearing		0.011	kg
--------------	--	-------	----