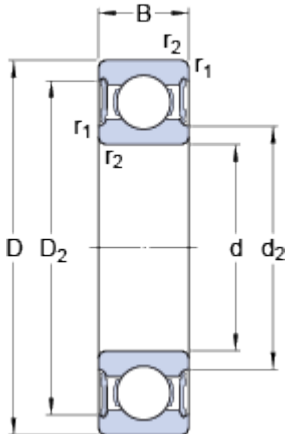


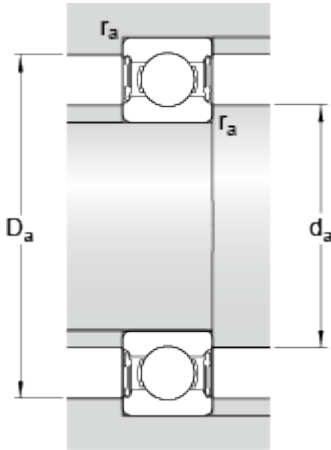
61901-2RS1

Dimensions



d		12	mm
D		24	mm
B		6	mm
d ₂	≈	15.35	mm
D ₂	≈	21.4	mm
r _{1,2}	min.	0.3	mm

Abutment dimensions



d _a	min.	14	mm
d _a	max.	15.2	mm
D _a	max.	22	mm
r _a	max.	0.3	mm

Calculation data

Basic dynamic load rating	C	2.91	kN
Basic static load rating	C	1.46	kN
Fatigue load limit	P _u	0.062	kN
Limiting speed		19000	r/min
Calculation factor	k _r	0.02	
Calculation factor	f	14.5	

Mass

Mass bearing		0.011	kg
--------------	--	-------	----