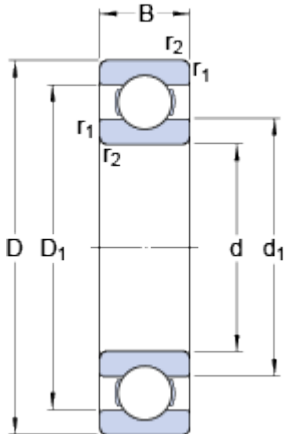


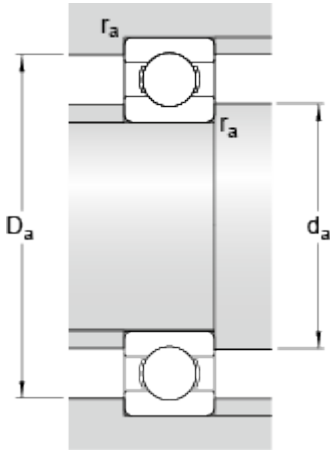
# 61900

## Dimensions



d	10	mm
D	22	mm
B	6	mm
d <sub>1</sub>	≈ 13.9	mm
D <sub>1</sub>	≈ 18.2	mm
r <sub>1,2</sub>	min. 0.3	mm

## Abutment dimensions



d <sub>a</sub>	min. 12	mm
D <sub>a</sub>	max. 20	mm
r <sub>a</sub>	max. 0.3	mm

## Calculation data

Basic dynamic load rating	C	2.7	kN
Basic static load rating	C	1.27	kN
Fatigue load limit	P <sub>u</sub>	0.054	kN
Reference speed		70000	r/min
Limiting speed		45000	r/min
Calculation factor	k <sub>r</sub>	0.02	
Calculation factor	f	14	

## Mass

Mass bearing	0.01	kg
--------------	------	----