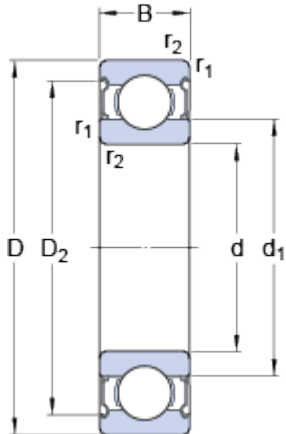


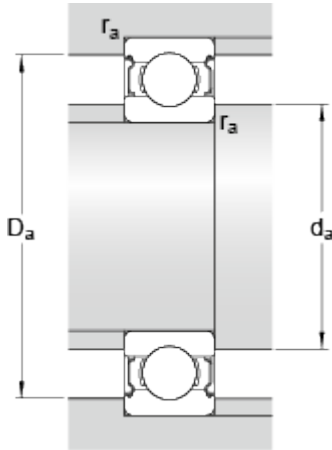
61900-2Z

Dimensions



d		10	mm
D		22	mm
B		6	mm
d ₁	≈	13.9	mm
D ₂	≈	19.4	mm
r _{1,2}	min.	0.3	mm

Abutment dimensions



d _a	min.	12	mm
d _a	max.	12.9	mm
D _a	max.	20	mm
r _a	max.	0.3	mm

Calculation data

Basic dynamic load rating	C	2.7	kN
Basic static load rating	C	1.27	kN
Fatigue load limit	P _u	0.054	kN
Reference speed		70000	r/min
Limiting speed		36000	r/min
Calculation factor	k _r	0.02	
Calculation factor	f	14	

Mass

Mass bearing		0.01	kg
--------------	--	------	----