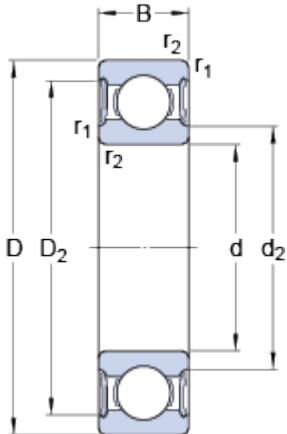


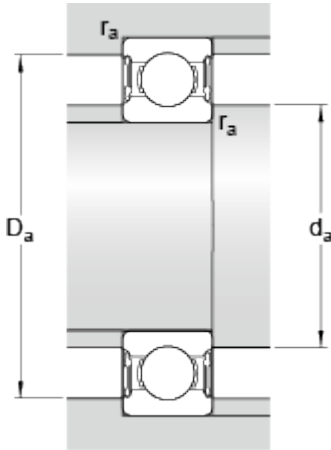
# 61900-2RS1

## Dimensions



d		10	mm
D		22	mm
B		6	mm
d <sub>2</sub>	≈	13.2	mm
D <sub>2</sub>	≈	19.4	mm
r <sub>1,2</sub>	min.	0.3	mm

## Abutment dimensions



d <sub>a</sub>	min.	12	mm
d <sub>a</sub>	max.	12	mm
D <sub>a</sub>	max.	20	mm
r <sub>a</sub>	max.	0.3	mm

## Calculation data

Basic dynamic load rating	C	2.7	kN
Basic static load rating	C	1.27	kN
Fatigue load limit	P <sub>u</sub>	0.054	kN
Limiting speed		20000	r/min
Calculation factor	k <sub>r</sub>	0.02	
Calculation factor	f	14	

## Mass

Mass bearing		0.01	kg
--------------	--	------	----