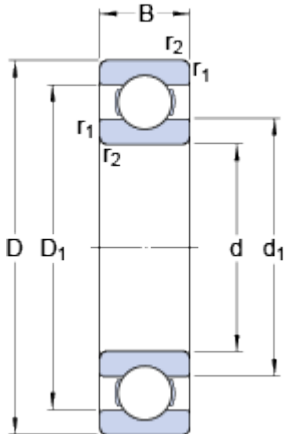


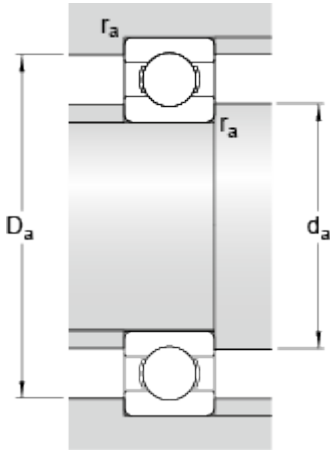
# 61830 MA

## Dimensions



d		150	mm
D		190	mm
B		20	mm
d <sub>1</sub>	≈	162.6	mm
D <sub>1</sub>	≈	177.6	mm
r <sub>1,2</sub>	min.	1.1	mm

## Abutment dimensions



d <sub>a</sub>	min.	156	mm
D <sub>a</sub>	max.	184	mm
r <sub>a</sub>	max.	1	mm

## Calculation data

Basic dynamic load rating	C	48.8	kN
Basic static load rating	C	61	kN
Fatigue load limit	P <sub>u</sub>	1.96	kN
Reference speed		6700	r/min
Limiting speed		4300	r/min
Calculation factor	k <sub>r</sub>	0.015	
Calculation factor	f	17.1	

## Mass

Mass bearing		1.35	kg
--------------	--	------	----