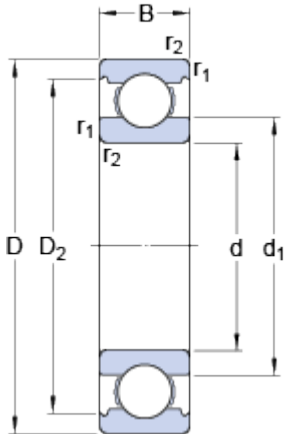


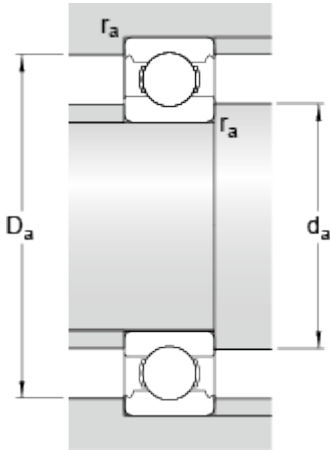
61826

Dimensions



d		130	mm
D		165	mm
B		18	mm
d ₁	≈	140	mm
D ₂	≈	157.7	mm
r _{1,2}	min.	1.1	mm

Abutment dimensions



d _a	min.	136	mm
D _a	max.	159	mm
r _a	max.	1	mm

Calculation data

Basic dynamic load rating	C	37.7	kN
Basic static load rating	C	43	kN
Fatigue load limit	P _u	1.6	kN
Reference speed		8000	r/min
Limiting speed		4800	r/min
Calculation factor	k _r	0.015	
Calculation factor	f	16.1	

Mass

Mass bearing		0.75	kg
--------------	--	------	----