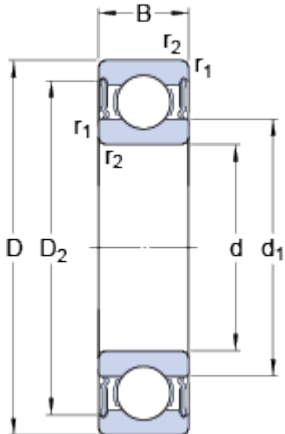


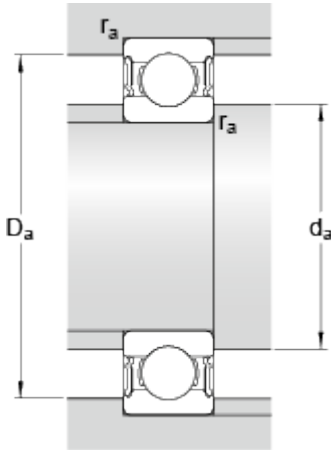
# 61824-2RS1

## Dimensions



d		120	mm
D		150	mm
B		16	mm
d <sub>1</sub>	≈	128.6	mm
D <sub>2</sub>	≈	144.05	mm
r <sub>1,2</sub>	min.	1	mm

## Abutment dimensions



d <sub>a</sub>	min.	125	mm
d <sub>a</sub>	max.	128	mm
D <sub>a</sub>	max.	145	mm
r <sub>a</sub>	max.	1	mm

## Calculation data

Basic dynamic load rating	C	29.1	kN
Basic static load rating	C	28	kN
Fatigue load limit	P <sub>u</sub>	1.29	kN
Limiting speed		2400	r/min
Calculation factor	k <sub>r</sub>	0.015	
Calculation factor	f	13.5	

## Mass

Mass bearing		0.65	kg
--------------	--	------	----