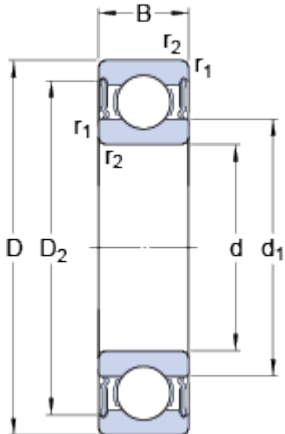


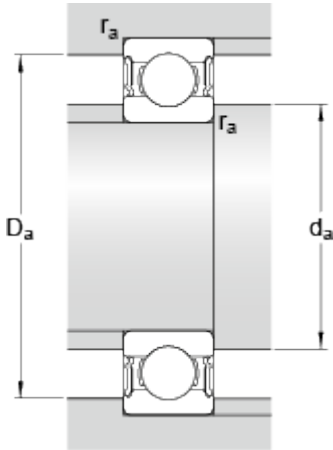
61822-2RS1

Dimensions



d		110	mm
D		140	mm
B		16	mm
d ₁	≈	118.6	mm
D ₂	≈	134.05	mm
r _{1,2}	min.	1	mm

Abutment dimensions



d _a	min.	115	mm
d _a	max.	118	mm
D _a	max.	135	mm
r _a	max.	1	mm

Calculation data

Basic dynamic load rating	C	28.1	kN
Basic static load rating	C	26	kN
Fatigue load limit	P _u	1.25	kN
Limiting speed		2600	r/min
Calculation factor	k _r	0.015	
Calculation factor	f	13.6	

Mass

Mass bearing		0.6	kg
--------------	--	-----	----