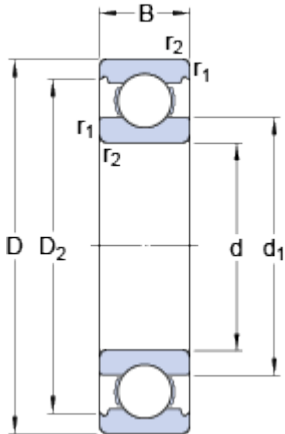


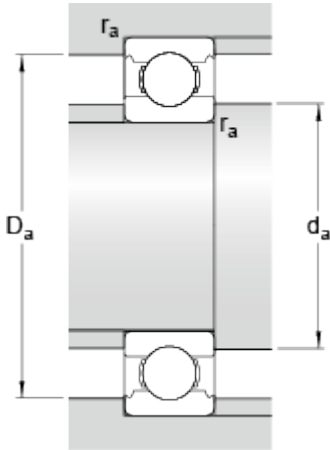
# 61818

## Dimensions



d		90	mm
D		115	mm
B		13	mm
d <sub>1</sub>	≈	98.3	mm
D <sub>2</sub>	≈	109.5	mm
r <sub>1,2</sub>	min.	1	mm

## Abutment dimensions



d <sub>a</sub>	min.	94.6	mm
D <sub>a</sub>	max.	110	mm
r <sub>a</sub>	max.	1	mm

## Calculation data

Basic dynamic load rating	C	19.5	kN
Basic static load rating	C	17	kN
Fatigue load limit	P <sub>u</sub>	0.915	kN
Reference speed		11000	r/min
Limiting speed		7000	r/min
Calculation factor	k <sub>r</sub>	0.015	
Calculation factor	f	13.4	

## Mass

Mass bearing		0.28	kg
--------------	--	------	----