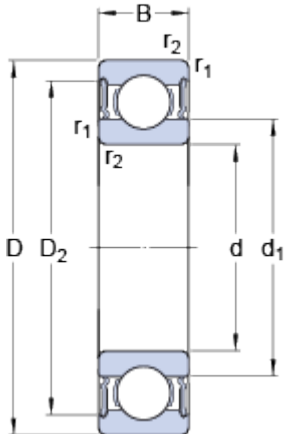


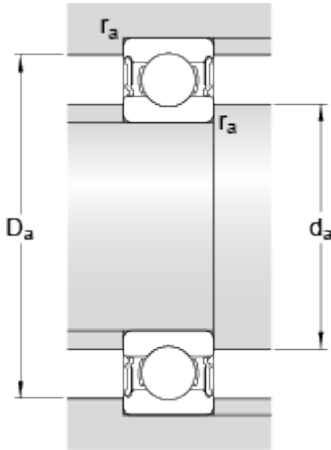
61818-2RS1

Dimensions



d		90	mm
D		115	mm
B		13	mm
d ₁	≈	98.3	mm
D ₂	≈	109.5	mm
r _{1,2}	min.	1	mm

Abutment dimensions



d _a	min.	94.6	mm
d _a	max.	98.1	mm
D _a	max.	110	mm
r _a	max.	1	mm

Calculation data

Basic dynamic load rating	C	19.5	kN
Basic static load rating	C	17	kN
Fatigue load limit	P _u	0.915	kN
Limiting speed		3200	r/min
Calculation factor	k _r	0.015	
Calculation factor	f	13.4	

Mass

Mass bearing		0.29	kg
--------------	--	------	----