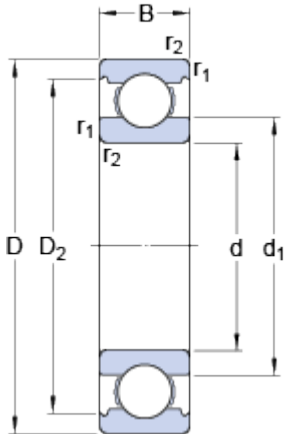


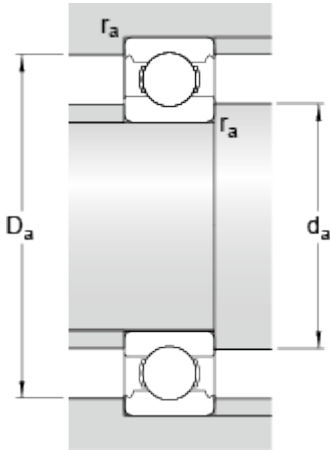
61816

Dimensions



| | | | |
|------------------|------|------|----|
| d | | 80 | mm |
| D | | 100 | mm |
| B | | 10 | mm |
| d ₁ | ≈ | 86.7 | mm |
| D ₂ | ≈ | 95.7 | mm |
| r _{1,2} | min. | 1.3 | mm |

Abutment dimensions



| | | | |
|----------------|------|------|----|
| d _a | min. | 83.2 | mm |
| D _a | max. | 96.8 | mm |
| r _a | max. | 0.6 | mm |

Calculation data

| | | | |
|---------------------------|----------------|-------|-------|
| Basic dynamic load rating | C | 12.7 | kN |
| Basic static load rating | C | 11.2 | kN |
| Fatigue load limit | P _u | 0.61 | kN |
| Reference speed | | 13000 | r/min |
| Limiting speed | | 8000 | r/min |
| Calculation factor | k _r | 0.015 | |
| Calculation factor | f | 13.3 | |

Mass

| | | | |
|--------------|--|------|----|
| Mass bearing | | 0.15 | kg |
|--------------|--|------|----|