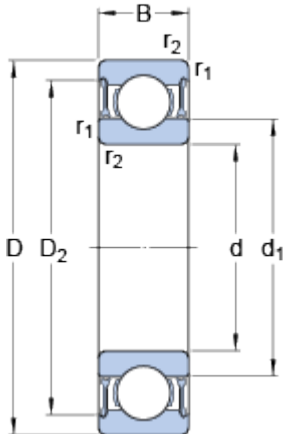


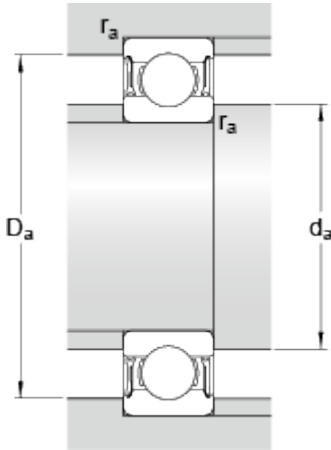
61815-2RZ

Dimensions



d		75	mm
D		95	mm
B		10	mm
d ₁	≈	81.7	mm
D ₂	≈	90.7	mm
r _{1,2}	min.	1.3	mm

Abutment dimensions



d _a	min.	78.2	mm
d _a	max.	81.5	mm
D _a	max.	91.8	mm
r _a	max.	0.6	mm

Calculation data

Basic dynamic load rating	C	12.5	kN
Basic static load rating	C	10.8	kN
Fatigue load limit	P _u	0.585	kN
Reference speed		14000	r/min
Limiting speed		7000	r/min
Calculation factor	k _r	0.015	
Calculation factor	f	13.4	

Mass

Mass bearing		0.15	kg
--------------	--	------	----