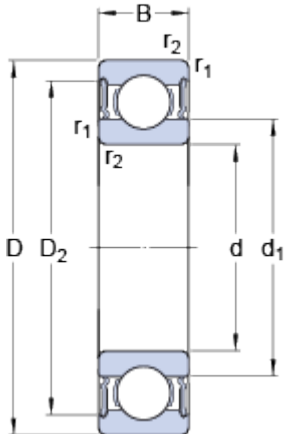


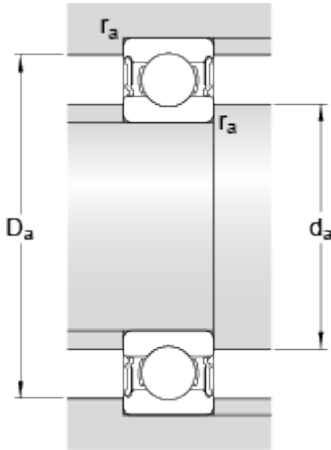
# 61815-2RS1

## Dimensions



d		75	mm
D		95	mm
B		10	mm
d <sub>1</sub>	≈	81.7	mm
D <sub>2</sub>	≈	90.7	mm
r <sub>1,2</sub>	min.	1.3	mm

## Abutment dimensions



d <sub>a</sub>	min.	78.2	mm
d <sub>a</sub>	max.	81.5	mm
D <sub>a</sub>	max.	91.8	mm
r <sub>a</sub>	max.	0.6	mm

## Calculation data

Basic dynamic load rating	C	12.5	kN
Basic static load rating	C	10.8	kN
Fatigue load limit	P <sub>u</sub>	0.585	kN
Limiting speed		4000	r/min
Calculation factor	k <sub>r</sub>	0.015	
Calculation factor	f	13.4	

## Mass

Mass bearing		0.15	kg
--------------	--	------	----