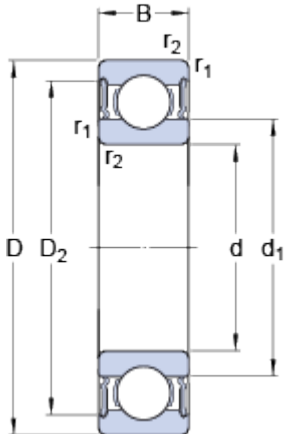


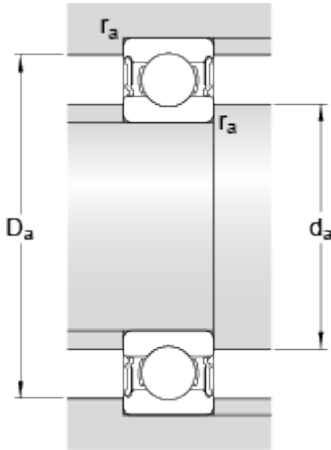
61812-2RS1

Dimensions



d		60	mm
D		78	mm
B		10	mm
d ₁	≈	65.4	mm
D ₂	≈	0	mm
r _{1,2}	min.	0.3	mm

Abutment dimensions



d _a	min.	62	mm
d _a	max.	65.5	mm
D _a	max.	76	mm
r _a	max.	0.3	mm

Calculation data

Basic dynamic load rating	C	11.9	kN
Basic static load rating	C	11.4	kN
Fatigue load limit	P _u	0.49	kN
Limiting speed		4800	r/min
Calculation factor	k _r	0.015	
Calculation factor	f	16.9	

Mass

Mass bearing		0.11	kg
--------------	--	------	----