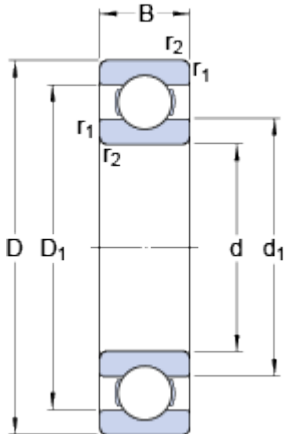


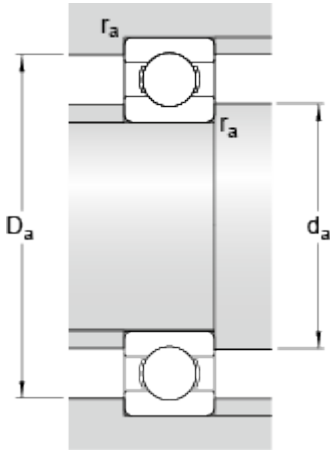
# 61811

## Dimensions



d		55	mm
D		72	mm
B		9	mm
d <sub>1</sub>	≈	60.3	mm
D <sub>1</sub>	≈	67	mm
r <sub>1,2</sub>	min.	0.3	mm

## Abutment dimensions



d <sub>a</sub>	min.	57	mm
D <sub>a</sub>	max.	70	mm
r <sub>a</sub>	max.	0.3	mm

## Calculation data

Basic dynamic load rating	C	9.04	kN
Basic static load rating	C	8.8	kN
Fatigue load limit	P <sub>u</sub>	0.375	kN
Reference speed		19000	r/min
Limiting speed		12000	r/min
Calculation factor	k <sub>r</sub>	0.015	
Calculation factor	f	17	

## Mass

Mass bearing		0.083	kg
--------------	--	-------	----