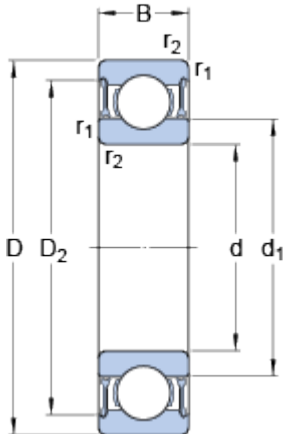


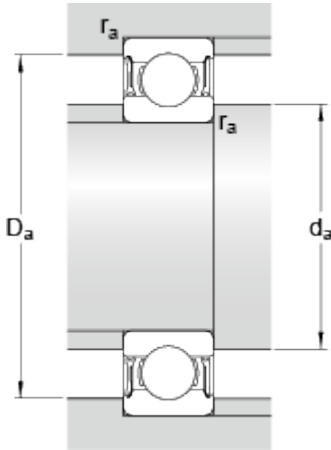
61811-2RZ

Dimensions



d		55	mm
D		72	mm
B		9	mm
d ₁	≈	60.3	mm
D ₂	≈	68.68	mm
r _{1,2}	min.	0.3	mm

Abutment dimensions



d _a	min.	57	mm
d _a	max.	60.5	mm
D _a	max.	70	mm
r _a	max.	0.3	mm

Calculation data

Basic dynamic load rating	C	9.04	kN
Basic static load rating	C	8.8	kN
Fatigue load limit	P _u	0.375	kN
Reference speed		19000	r/min
Limiting speed		9500	r/min
Calculation factor	k _r	0.015	
Calculation factor	f	17	

Mass

Mass bearing		0.083	kg
--------------	--	-------	----