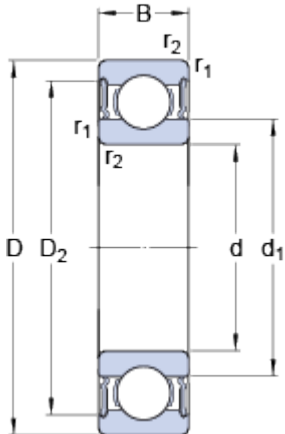


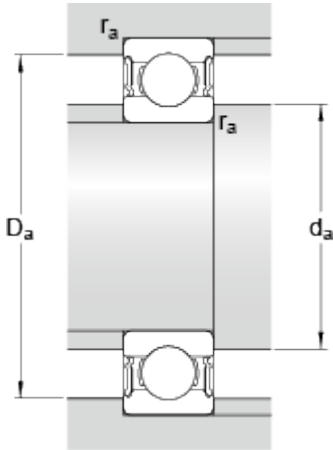
# 61811-2RS1

## Dimensions



|                  |      |       |    |
|------------------|------|-------|----|
| d                |      | 55    | mm |
| D                |      | 72    | mm |
| B                |      | 9     | mm |
| d <sub>1</sub>   | ≈    | 60.3  | mm |
| D <sub>2</sub>   | ≈    | 68.68 | mm |
| r <sub>1,2</sub> | min. | 0.3   | mm |

## Abutment dimensions



|                |      |      |    |
|----------------|------|------|----|
| d <sub>a</sub> | min. | 57   | mm |
| d <sub>a</sub> | max. | 60.5 | mm |
| D <sub>a</sub> | max. | 70   | mm |
| r <sub>a</sub> | max. | 0.3  | mm |

## Calculation data

|                           |                |       |       |
|---------------------------|----------------|-------|-------|
| Basic dynamic load rating | C              | 9.04  | kN    |
| Basic static load rating  | C              | 8.8   | kN    |
| Fatigue load limit        | P <sub>u</sub> | 0.375 | kN    |
| Limiting speed            |                | 5300  | r/min |
| Calculation factor        | k <sub>r</sub> | 0.015 |       |
| Calculation factor        | f              | 17    |       |

## Mass

|              |  |       |    |
|--------------|--|-------|----|
| Mass bearing |  | 0.083 | kg |
|--------------|--|-------|----|