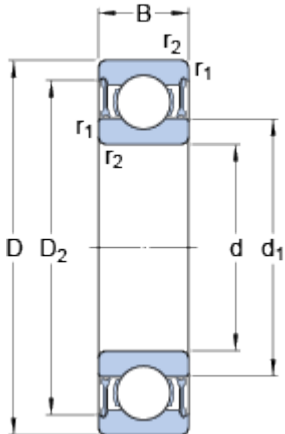


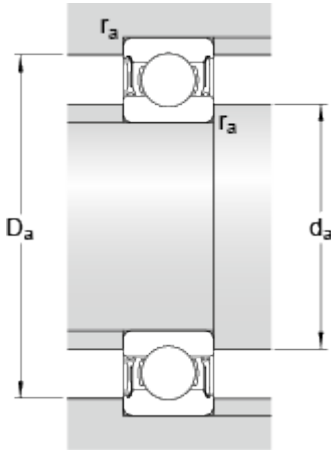
# 61809-2RZ

## Dimensions



d		45	mm
D		58	mm
B		7	mm
d <sub>1</sub>	≈	48.2	mm
D <sub>2</sub>	≈	55.4	mm
r <sub>1,2</sub>	min.	0.3	mm

## Abutment dimensions



d <sub>a</sub>	min.	47	mm
d <sub>a</sub>	max.	49	mm
D <sub>a</sub>	max.	56	mm
r <sub>a</sub>	max.	0.3	mm

## Calculation data

Basic dynamic load rating	C	6.63	kN
Basic static load rating	C	6.1	kN
Fatigue load limit	P <sub>u</sub>	0.26	kN
Reference speed		22000	r/min
Limiting speed		11000	r/min
Calculation factor	k <sub>r</sub>	0.015	
Calculation factor	f	17	

## Mass

Mass bearing		0.04	kg
--------------	--	------	----